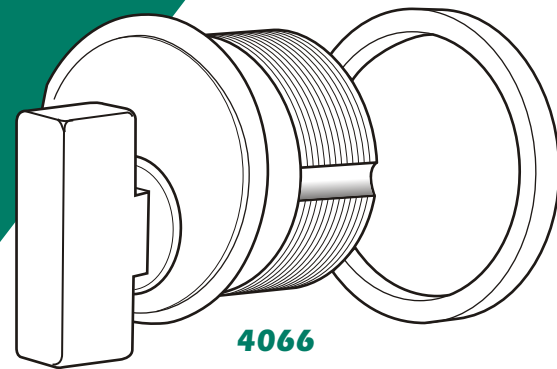
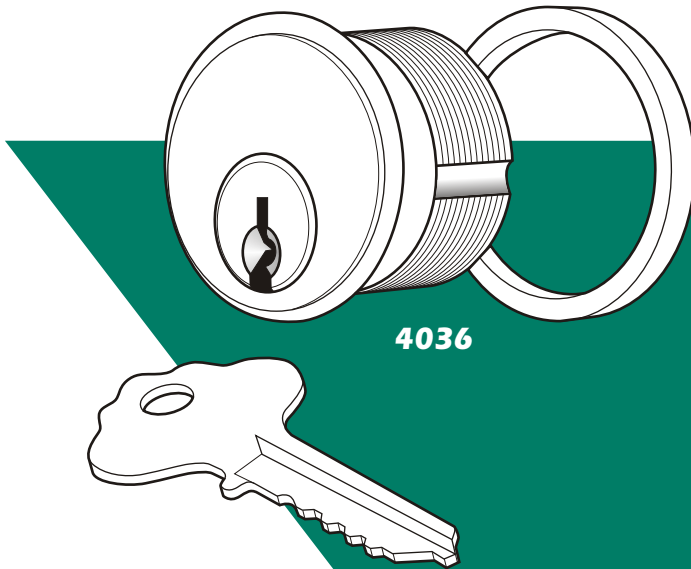


Mortise Cylinder & Thumbturn

4036 - Cylinder 4066 - Thumbturn

ANSI/BHMA Type E19211 (Grade 1)



▼ Shell, Cylinder

Brass, Aluminum scalp with US28 Clear Anodized (628) or 313 (Dark Bronze Anod.) or 335 (Black Anod.). Plug is US26 Chrome (625).

▼ Keying

Available in keyed-alike pairs (KA2), keyed-different (KD) and keyed-alike sets of 50 (KA50). All cylinders furnished with two keys per cylinder.

▼ Trim Ring

Furnished. 1/4" thick, suitable for 1-3/4" thick doors. Available on special order for other door thicknesses.

▼ Function

A standard 1-5/32" diameter cylinder with 5-pin tumbler security. Designed to operate any Adams Rite lock or latch requiring a mortise cylinder. Close-tolerance manufacture and inspection achieve setscrew grooves and cam that are true on their respective centerlines. This ensures proper mating and operation with the lock or latch mechanism.

▼ Shell, Turn

Brass. Choice of three finishes: US28 Clear Anodized (628), 313 (Dark Bronze Anodized) or 335 (Black Anodized).

▼ Trim Ring

Furnished. 1/4" thick, suitable for 1-3/4" thick doors. Available on special order for other door thicknesses.

▼ Function

To operate lock or latch without key. Interchanges with standard 1-5/32" diameter mortise cylinder. Cams are available to suit the particular Adams Rite lock or latch. (See back for cam specifications.)



ADAMS RITE
MANUFACTURING CO.

260 Santa Fe Street
Pomona, California 91767
(800) 872-3267 Fax: (800) 232-7329
www.adamsrite.com

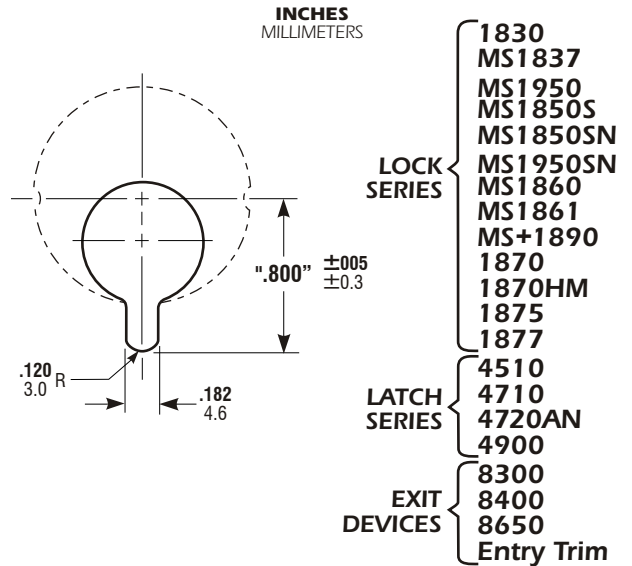


4036 Mortise Cylinder/4066 Thumbturn

CYLINDERS "BY OTHERS"

Adams Rite metal stile glass door deadbolts and latches are designed to accept standard 1-5/32" mortise cylinders of all popular makes. This means that the entrance can be keyed to match the system used throughout the building on other types of doors. Care must be taken, however, to specify the proper cam for each type of lock, as these are not generally interchangeable. The cam shapes shown below are available from the listed cylinder manufacturers and will be supplied by them with the cylinder when specified or available separately. Because of variations in attachment of cams to cylinders and other construction differences, it is advisable NOT to attempt using one manufacturer's cylinder with another's cam.

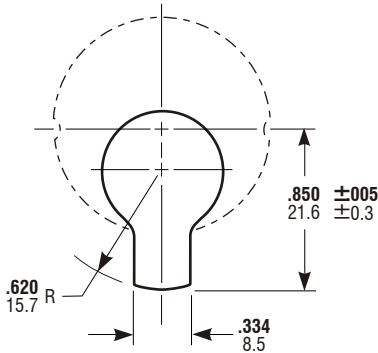
Dimensions of Cam to Operate:



MS® CAM

Manufacturer	Standard	High Security	IC/Removable Core
Arrow	AR18	18A	18C/18A
Best	N/A	N/A	C181
Corbin-Russ.	111F55	111F55	362F42
Falcon	9899	9899	A12667-001
ILCO	863A	863A	863A
Medeco	Z02	Z02	Z02
Sargent	13-0512	18-0076	13-0832
Schlage	B502-292	B502-944	K510-711
Yale	1161L	1161L	1160L

Dimensions of Cam to Operate: 4070 Series Deadlock

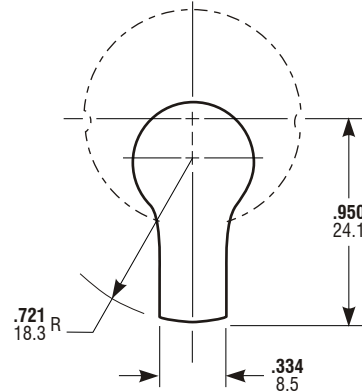


This cam available from above cylinder manufacturers on special order (or make from standard cam)

4070 CAM

Manufacturer	Standard	High Security	IC/Removable Core
Arrow	N/A	N/A	N/A
Best	N/A	N/A	A-4445
Corbin-Russ.	105F70	105F70	423F49
Falcon	A09898-000	A09898-000	A12667-002
ILCO	863H	863H	863H
Medeco	Z06	Z06	Z06
Sargent	13-0513	N/A	N/A
Schlage	B502-380	B502-945	B520-378
Yale	N/A	N/A	N/A

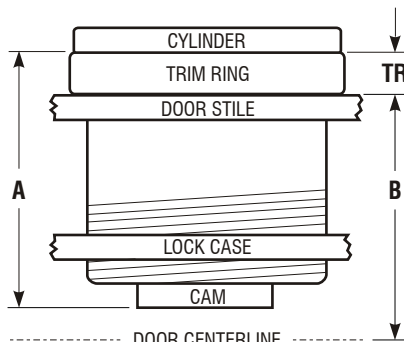
Dimensions of Cam to Operate: 2331 Series Deadlock



This cam available from all cylinder manufacturers (standard cam)

2331 CAM

Manufacturer	Standard	High Security	IC/Removable Core
Arrow	001	1A	1C
Best	N/A	N/A	A-1248
Corbin-Russ.	65F36	N/A	N/A
Falcon	9897-000-30	9897-000-30	12667-003-50
ILCO	863G	863G	863G
Medeco	Z01	Z01	Z01
Sargent	13-0097	18-0080	X1-3000
Schlage	B502-191	B502-948	K510-730
Yale	1161	1161	1160E



Cylinder Trim Ring for Narrow Stiles

Narrow stile doors require a trim ring to fill the gap remaining between the cylinder shoulder and stile when a standard mortise cylinder is used. If the security of the hardened steel Adams Rite MS4043 Cylinder Guard is not required, this ring may be simply a length of 1.171 I.D. tubing. Its length varies depending on door thickness or cylinder make and number of pins. The specific length required can be quickly determined by the following formula:

FOR MS® LOCKS:

$$TR^* = A + .125 - B$$

FOR 4500 SERIES LATCHES:

$$TR^* = A + .0312 - B$$

*TOLERANCE: ±.060

"TR" is trim ring length.
"A" is cylinder height (less shoulder but including cam).
"B" is one-half of door thickness.

4036/4066 OPTIONS

Dash number specifies type of cam:
-01 for MS® lock, 4900 Deadlatches, etc.
-02 for 4070 Deadbolt
-03 for 2331 Deadbolt

STANDARD PACKAGE

Individually packed with trim ring. 4036 also furnished with key.